

# LG Miraclass

Cinema Experience Redefined

LDAA025



\* All images in this datasheet are for illustrative purposes only.



Sharp Contrast Ratio



Vivid and Expressive Colors



Adjustable Luminance



3D Viewing Available



User-friendly Operation



Media Server Compatibility



### Discover New Depths with True Black Immersion

With its series of individual, self-emissive LEDs, the LED screen of LG Miraclass adds extra depth to the dark end of the spectrum. This results in distinctive and eye-catching contrast, taking the viewing experience to a whole new level.



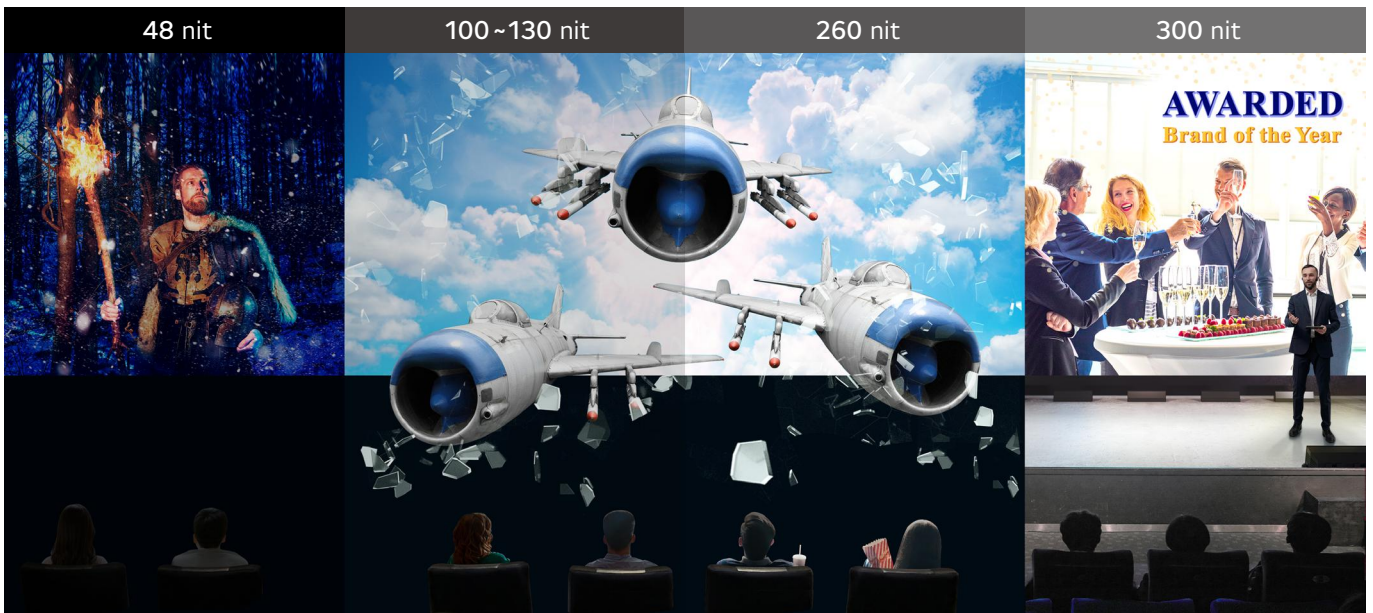
### Feast Your Eyes on a Festival of Color

With 24-bit color processing, capable of displaying 68.7 billion color variants, the LG Miraclass reproduces DCI-P3 colors just as the content creators intended. From elegant dark tones to vibrant primary colors and warm earthy hues, movie goers can enjoy a chromatic viewing experience unlike any other.



### Brightness Brings Detail to Life

Unlike standard projectors, which use a single light source, the LG Miraclass is made up of self-emissive LEDs working independently. The result is bright and brilliant picture quality, with no corner dimming or image distortion. From top to bottom, enjoy clear and consistent image representation.



### Brightness to Illuminate and Inspire

Adjust the brightness to your preferred setting, with five stages ranging from 48 to 300 nits. Whether hosting intimate movie screenings or corporate presentations, personalize your viewing experience and make your media the highlight.



### Take Picture Quality to Another Dimension

3D imaging from LG Miraclass provides superior visuals. With consistent brightness and clarity from corner to corner of the screen, audiences can fully immerse themselves in the 3D viewing experience, wherever they sit.

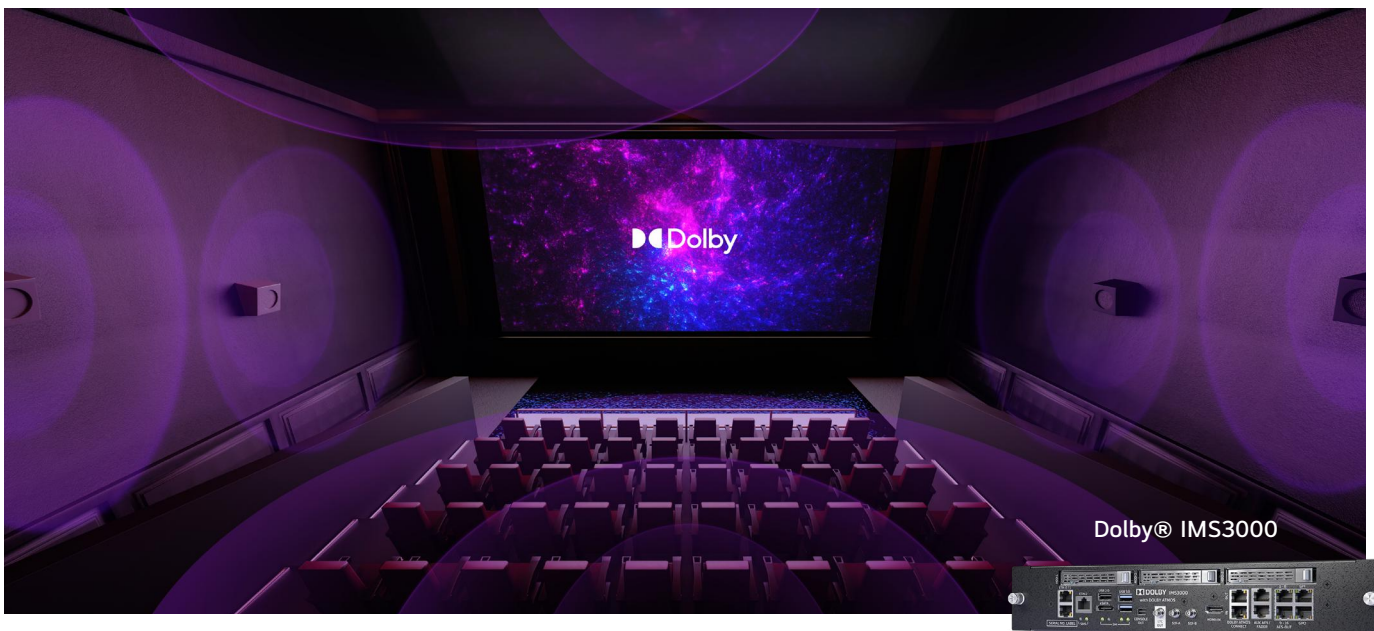
\* 3D active glasses (Volfoni, XpanD) are required.



## Easy Operation with Intuitive Software

Dedicated management software is on hand to help operators run the new LED screens smoothly and with confidence. Various functions can now be accessed at the touch of a button, including 12 macro input presets, 2D to 3D configuration, brightness settings, and video positioning adjustment.

\* The above image is for illustration purposes only. Actual GUI may differ.



## Dolby-Compatible LED Screen

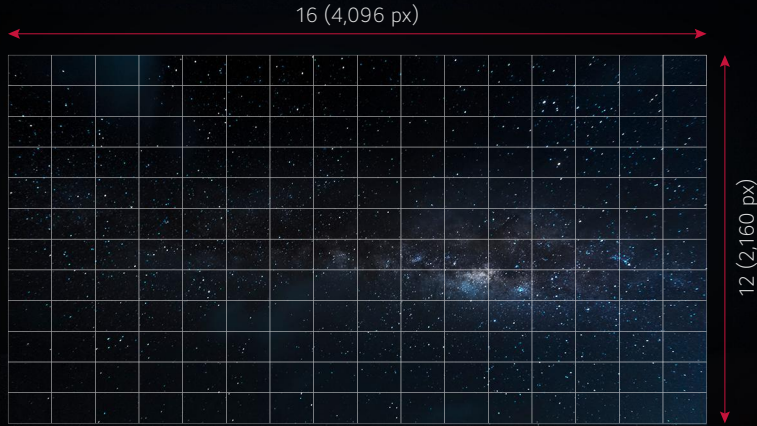
The new LG Miraclass can be quickly and seamlessly integrated into theaters, thanks to its compatibility with Dolby, a global leader in the entertainment industry. Dolby IMS supports stable and professional content operation, while the combination of Dolby Atmos sound and LG picture quality makes movies truly memorable.

\* Dolby, Dolby Atmos and the double-D symbol are registered trademarks of Dolby Laboratories.

## SCREEN CONFIGURATION

### 4K Screen (192 Cabinets)

10.2 m × 5.4 m (55 sqm)



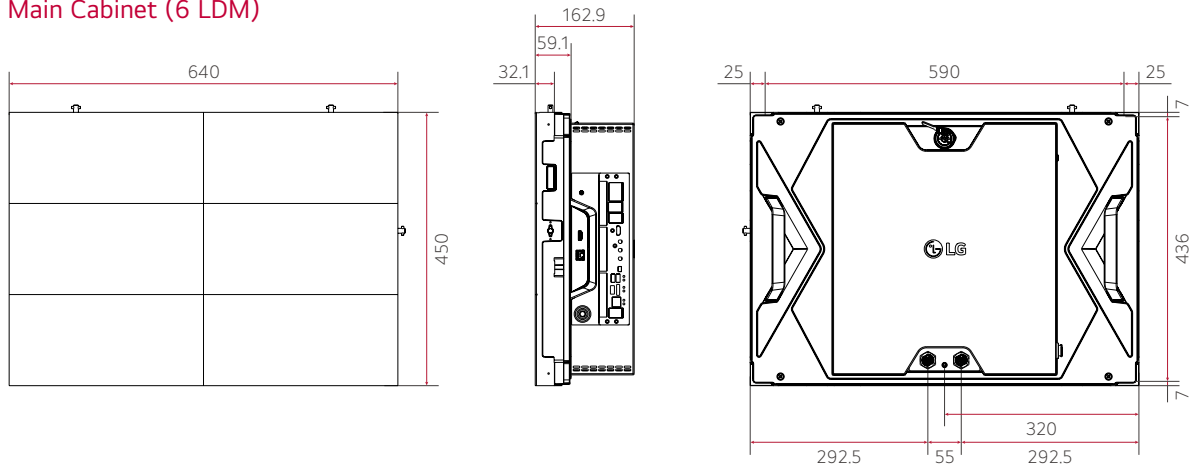
### 2K Screen (48 Cabinets)

5.1 m × 2.7 m (14 sqm)

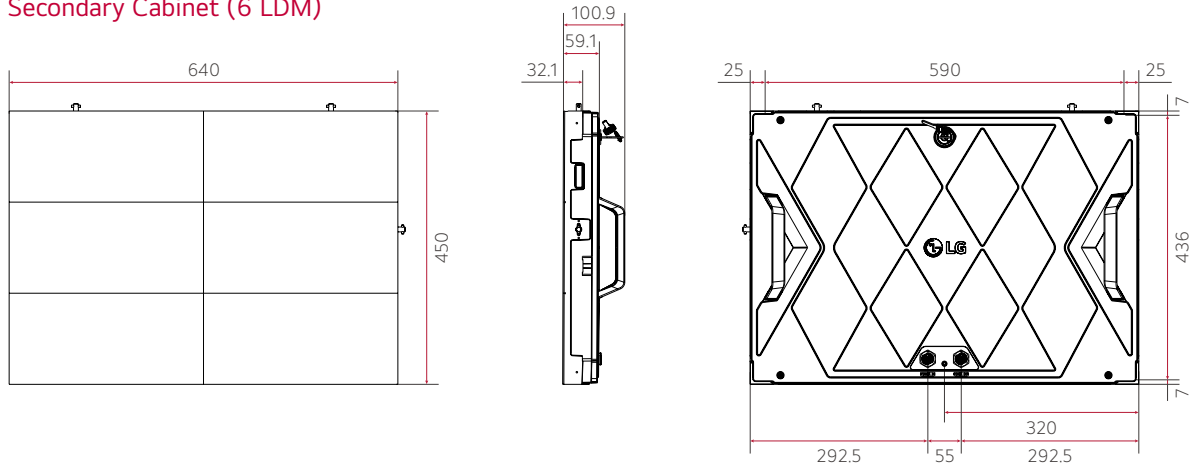


## CABINET DIMENSION

### Main Cabinet (6 LDM)



### Secondary Cabinet (6 LDM)



Download  
LG C-Display+  
Mobile App  
Google Play Store

[www.lg.com/global/business/information-display](http://www.lg.com/global/business/information-display)  
[www.youtube.com/c/LGCommercialDisplay](https://www.youtube.com/c/LGCommercialDisplay)  
[www.facebook.com/LGInformationDisplay](https://www.facebook.com/LGInformationDisplay)  
[www.linkedin.com/company/lginformationdisplay](https://www.linkedin.com/company/lginformationdisplay)  
[twitter.com/LG\\_ID\\_HQ](https://twitter.com/LG_ID_HQ)

LG may make changes to specifications and product descriptions without notice. Copyright © 2024 LG Electronics Inc. All rights reserved. "LG Life's Good" is a registered trademark of LG Corp. The names of products and brands mentioned here may be the trademarks of their respective owners.